

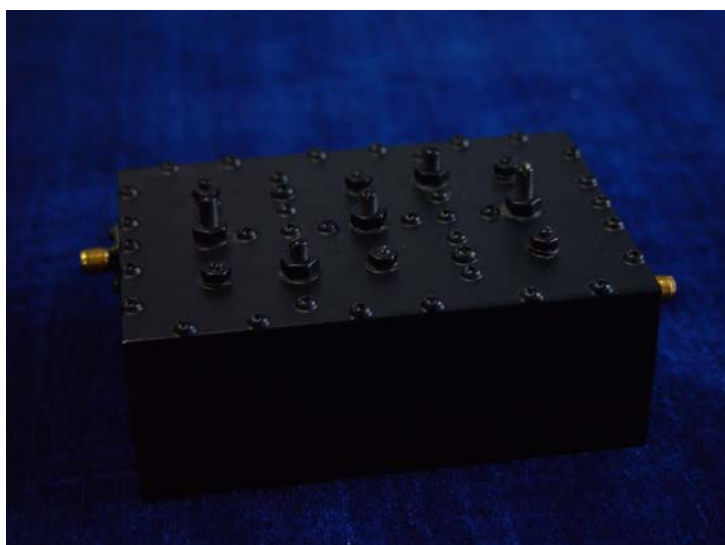


PHS 滤波器 / PHS Filter

1. Specifications

技术指标 Specifications	SQF-19D	SQF-19/15
工作频率 Operating Frequencies	1900-1915 MHz	1895-1910 MHz
带外抑制 Out Band Attenuation	≥55dB @ 1870 MHz ≥15dB @ 1920 MHz	≥50dB @ 1880 MHz ≥50dB @ 1920 MHz
插入损耗 Insertion Loss	≤1.2dB	≤1.7dB
带内波动 In Band Ripple	≤0.5dB	
回波损耗 Return Loss	≥18dB	
功率容量 Power Capacity	30W	30W
体积 Dimension	107 mm×73mm× 40mm	154mmX55mmx40mm
端口 Connector	SMA-KF or N-KF	

2. Package

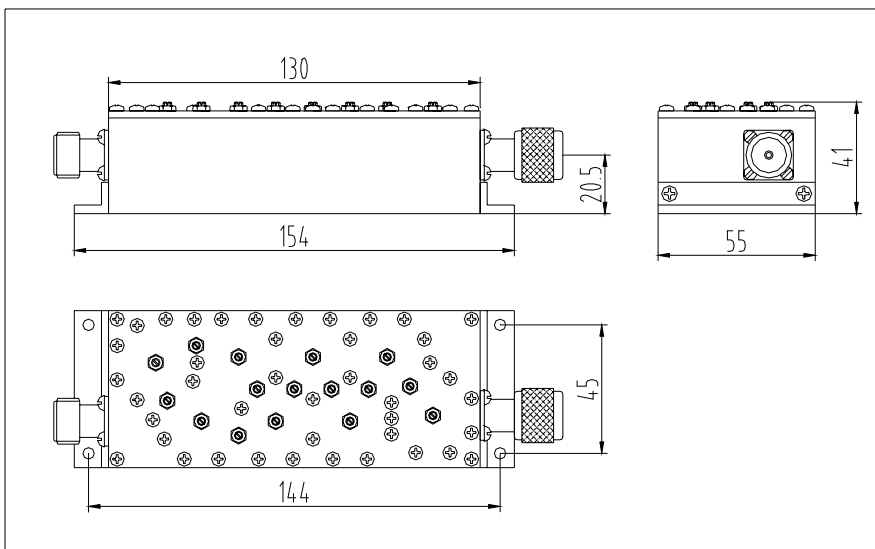
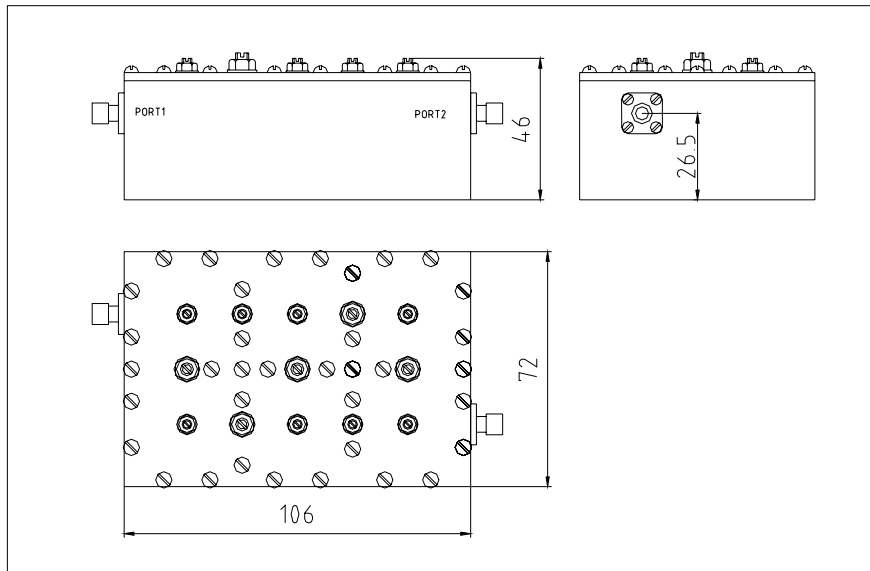
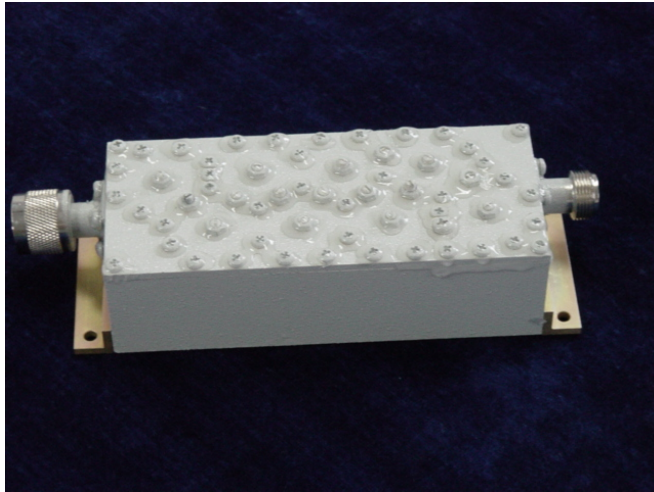




SIPAT Co.,Ltd

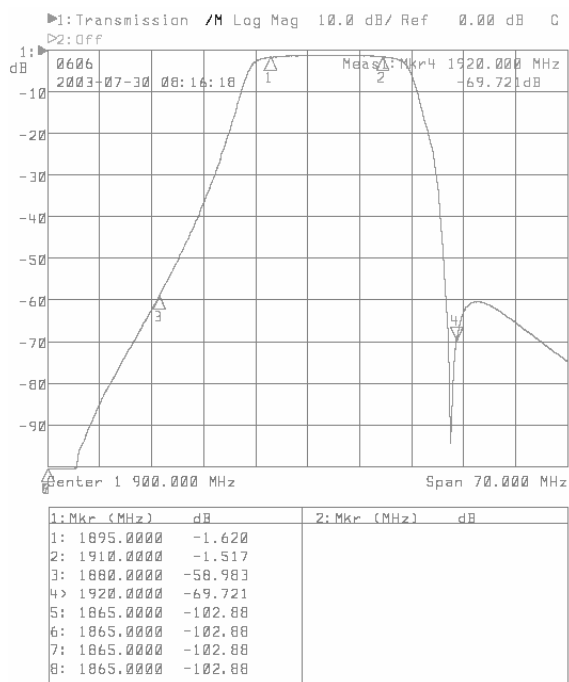
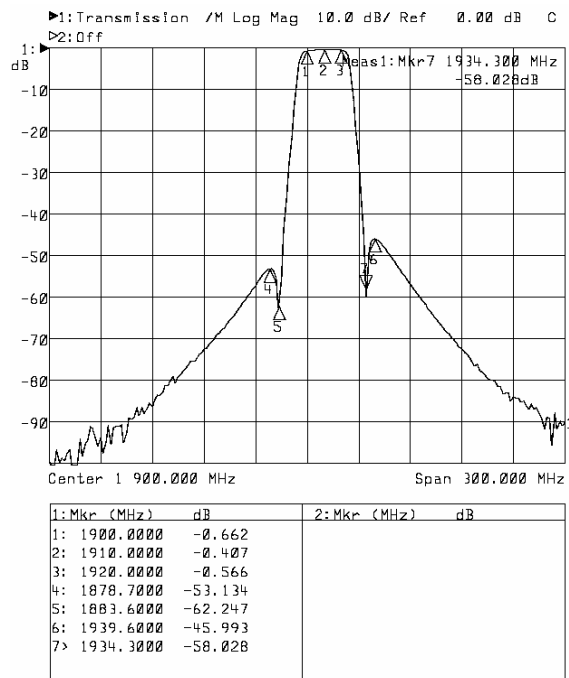
www.sipatsaw.com

China Electronics Technology Group Corporation No.26 Research Institute





3. Typical Performance



用途：小灵通系统专用