



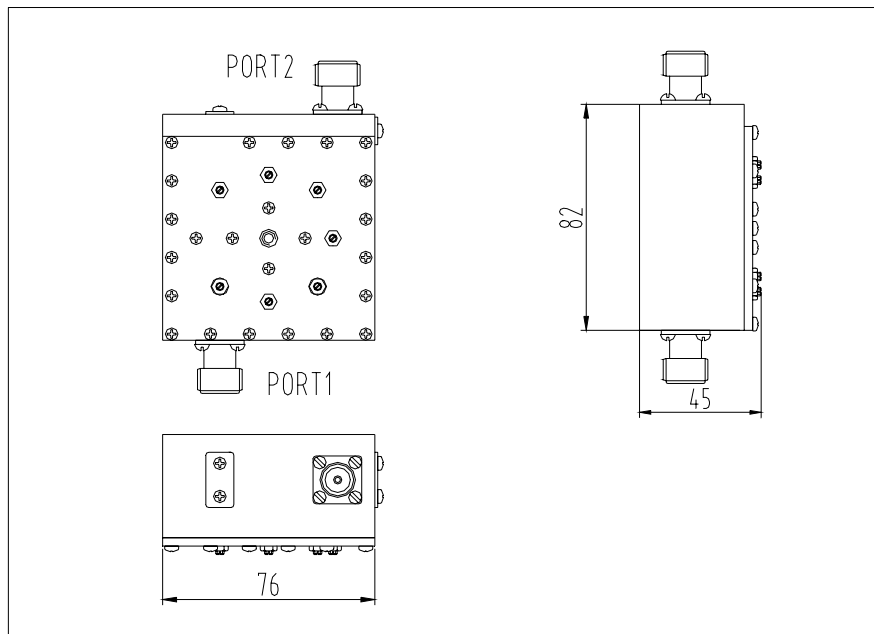
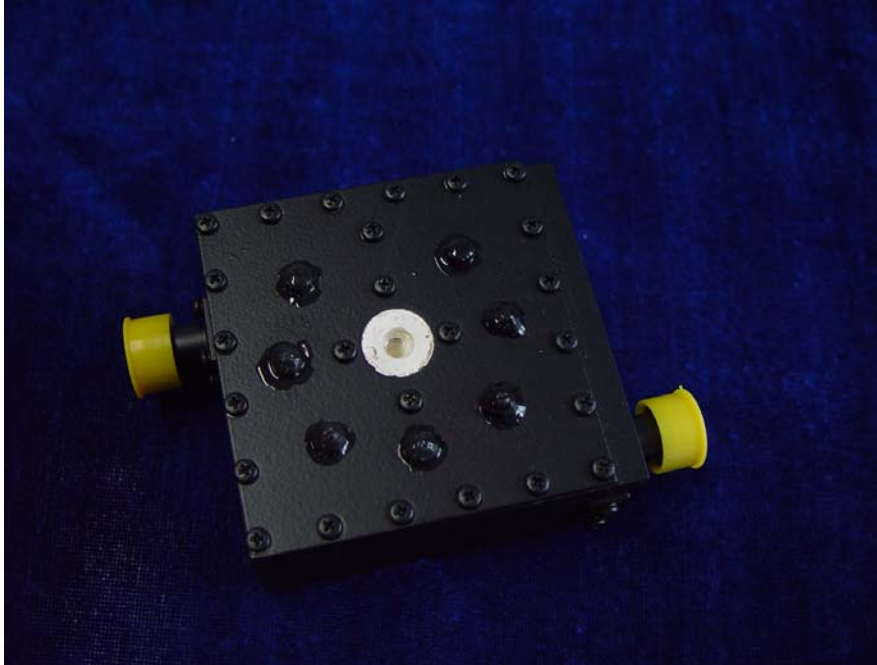
TD-SCDMA 滤波器 / TD-SCDMA Filter

1. Specifications

| 技术指标 Specifications | TD-SCDMA-2/15 |
|----------------------------------|--|
| 工作频率 Operating Frequency | 2010~2025MHZ |
| 带外抑制(dB) Out Bang Attenuation | >90dB@1-1365MHz: >70 dB@1365-1914MHz >47 dB @1914-1962 MHz >34 dB@1962-1980 MHz >21 dB@1980-1990 MHz >15 dB@1990-1994 MHz <0.7 dB@2010-2025 MHz >21 dB@2045-2110 MHz >70 dB@2110-2170 MHz >60 dB@2170-4020 MHz >60 dB@4020-4045 MHz >60 dB@4050-12750 MHz |
| 带内波动(dB) In Band Ripple | <0.3 dB |
| 回波损耗(dB) Return Loss | >18 dB |
| 工作温度 Operating Temperature | -45°C~65°C |
| 体积 Dimension | 82mm×76mm×45mm |
| 最大输入功率 Peak Power | <100W |
| 平均功率 Average | <5W |
| 端口 Connector | N-KF |

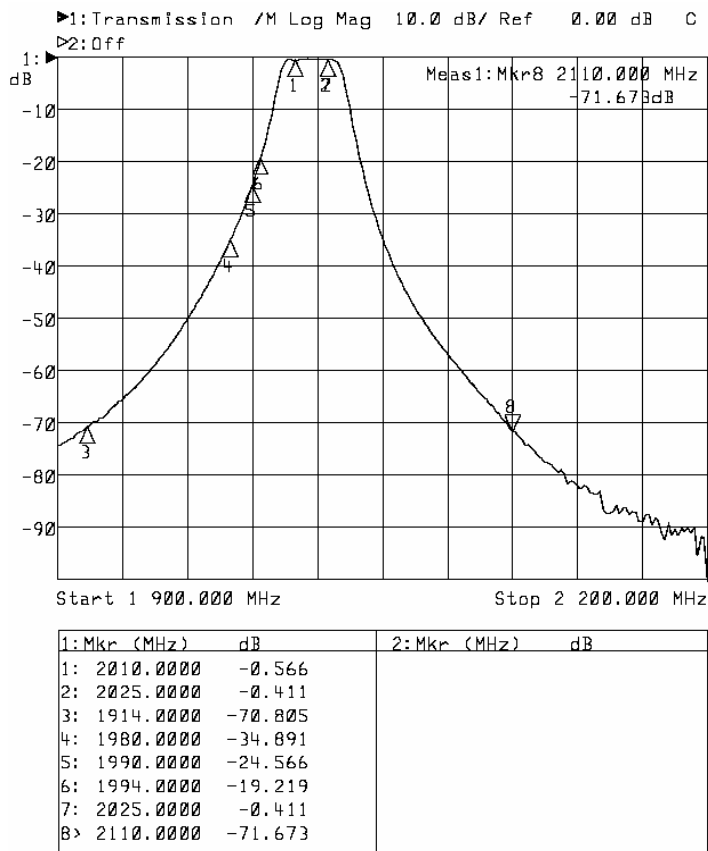


2. Package





3. Typical Performance



用途: TD-SCDMA 通信基站, 天线