

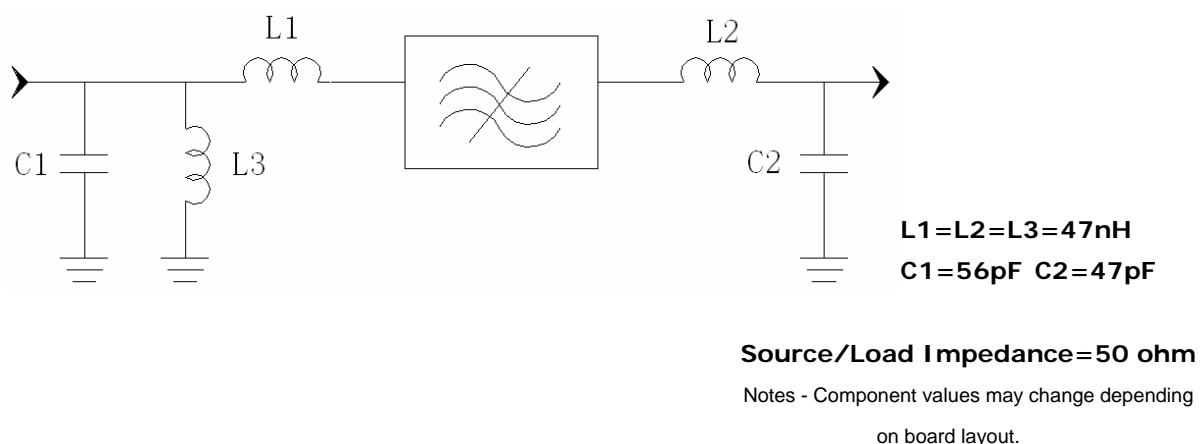
Specifications

Parameter	Unit	Minimum	Typical	Maximum
Center Frequency	MHz	171.25	171.35	171.45
Insertion Loss	dB		12.5	14
1dB Bandwidth	MHz	7.9	8.05	
3dB Bandwidth	MHz		8.9	
15 dB Bandwidth	MHz		10.6	11
40 dB Bandwidth	MHz		12.24	
Passband Variation	dB		0.8	1
Absolute Delay	usec		0.95	
Ultimate Rejection(<150MHz,>210MHz)	dB	40	45	
Material Temperature coefficient	KHz/°C		-3.0843	
Ambient Temperature	°C		25	
Package Size	SMP-53C (13.3 x 6.5 mm Nominal Footprint)			

Notes:

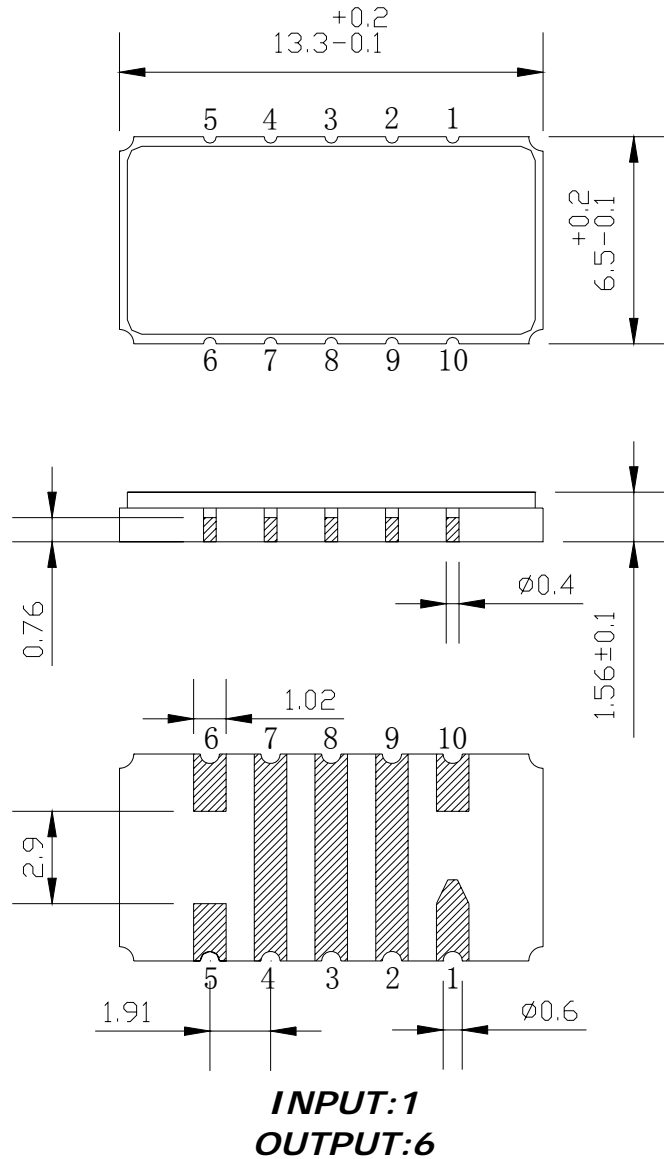
1. All specifications are based on the test circuit shown
2. In production, devices will be tested at room temperature to a guardbanded specification to ensure electrical compliance over temperature
3. Electrical margin has been built into the design to account for the variations due to temperature drift and manufacturing tolerances
4. This is the optimum impedance in order to achieve the performance show

Matching Configuration



	SIPAT Co., Ltd. (CETC No. 26 Research Institute) Nanping Huayuan Road No. 14 Chongqing, China, 400060	Part Number	LB171DS01	
		Rev. Date	2005-8-13	
		Rev.	1.0	Page

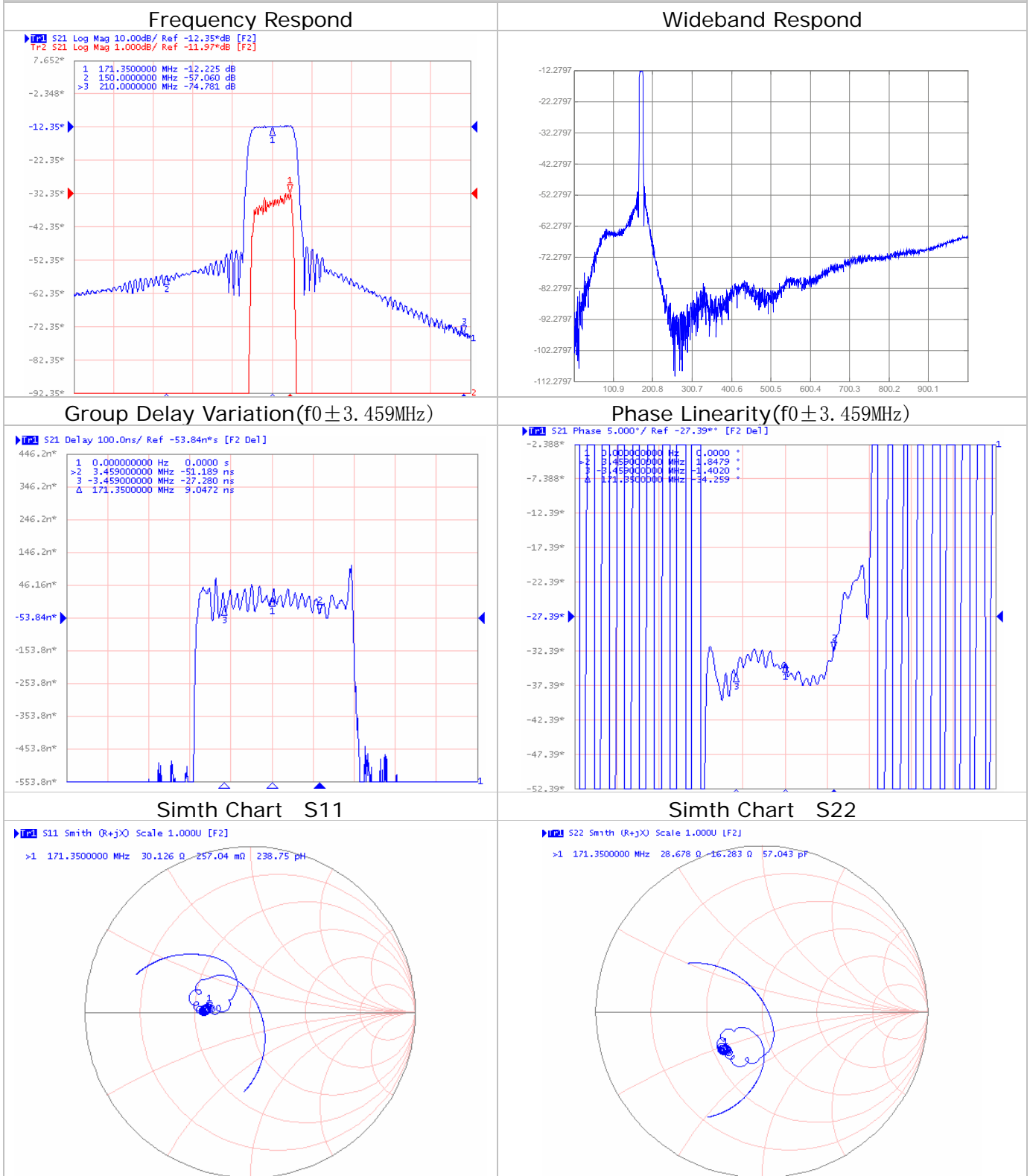
Package Dimension



SIPAT Co., Ltd.
(CETC No. 26 Research Institute)
Nanping Huayuan Road No. 14
Chongqing, China, 400060

Part Number	LB171DS01	
Rev. Date	2005-8-13	
Rev.	1.0	Page 2/3

Typical Performance



SIPAT Co., Ltd.
(CETC No. 26 Research Institute)
Nanning Huayuan Road No. 14
Chongqing, China, 400060

Part Number	LB171DS01	
Rev. Date	2005-8-13	
Rev.	1.0	Page 3/3