

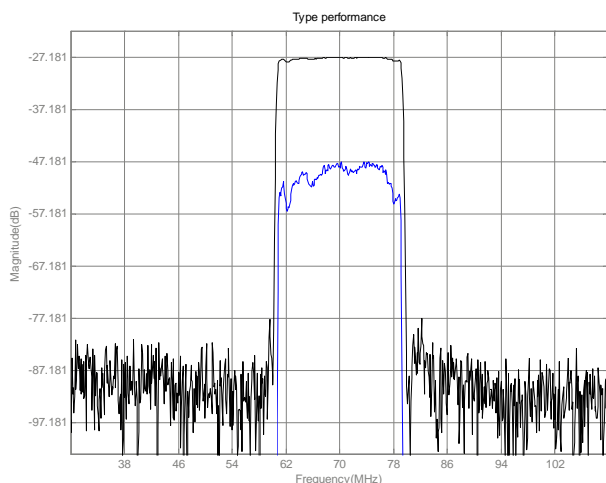


LBN07062 SAW Filter Electrical Characteristic

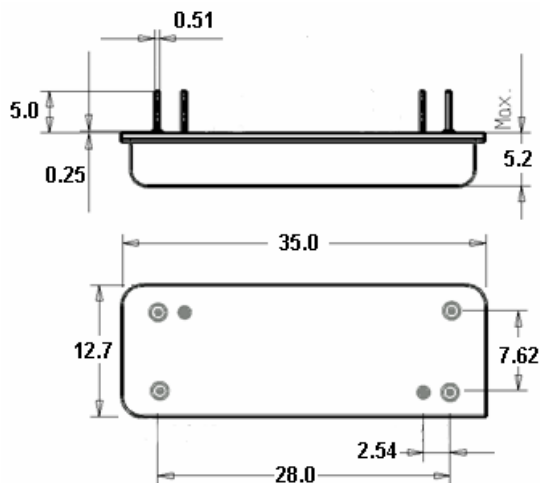
Specifications

Parameter	Unit	Minimum	Typical	Maximum
Center Frequency	MHz	69.9	70	70.1
Insertion Loss	dB	-	27.3	28
3 dB Bandwidth	MHz	18.4	18.43	-
40 dB Bandwidth	MHz	-	19.52	19.55
Ultimate Rejection	dB	50	51	-
Passband Variation	dB	-	1	1.2
Absolute Delay	usec	-	3.27	-
Substrate Material		YZ-LiNbO3		
Ambient Temperature	°C	25		
Package Size		DIP3512 (35.2x12.7x5.2mm ³)		

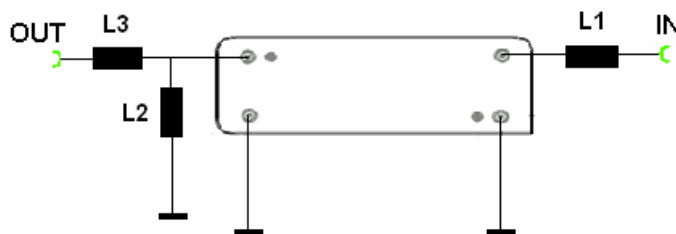
Typical Performance



Package Outline



Matching Configuration



$$L1=150\text{nH} \quad L2=470\text{nH} \quad L3=120\text{nH}$$

Source/Load Impedance=50 ohm

Notes - Component values may change depending on board layout.