

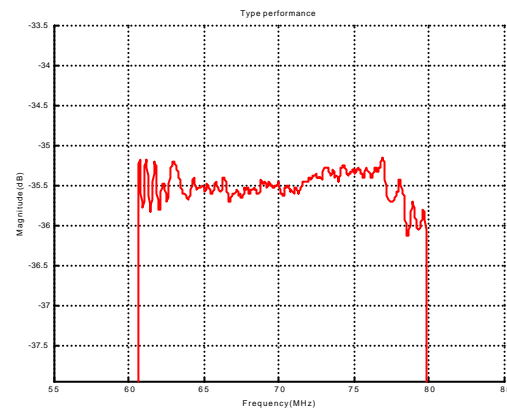
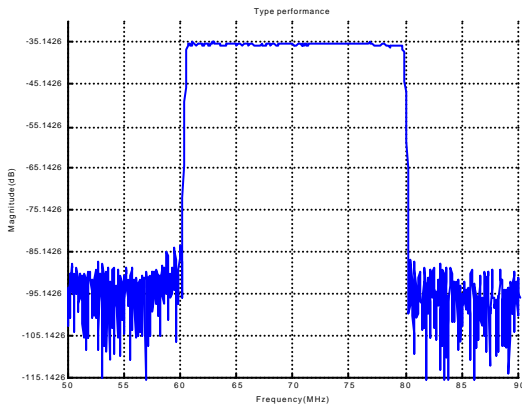


## LBN07071 SAW Filter Electrical Characteristic

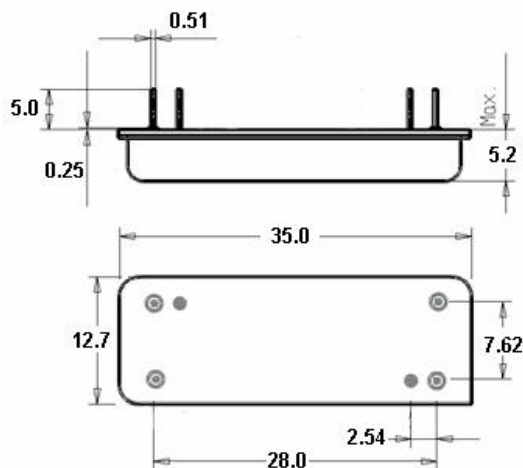
### Specifications

Parameter	Unit	Minimum	Typical	Maximum
<b>Center Frequency</b>	MHz	69.95	70	70.05
<b>Insertion Loss</b>	dB		35.14	37
<b>1 dB Bandwidth</b>	MHz	19.00	19.15	
<b>3 dB Bandwidth</b>	MHz	19.20	19.29	
<b>30 dB Bandwidth</b>	MHz		19.78	19.80
<b>50 dB Bandwidth</b>	MHz		19.93	20.00
<b>Passband variation</b>	dB		0.8	1.2
<b>Absolute Delay</b>	usec		4.34	
<b>Ultimate Rejection</b>	dB	50	55	
<b>Substrate Material</b>		YZ LN		
<b>Ambient Temperature</b>	°C	25		
<b>Package Size</b>		DIP3512 (35.0x12.7x5.2mm <sup>3</sup> )		

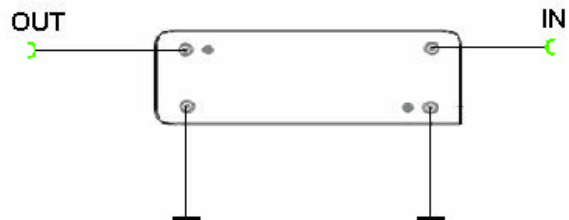
### Typical Performance



### Package Outline



### Matching Configuration



Source/Load Impedance = 50 ohm