



Features


- ◇ For IF SAW filter
- ◇ High attenuation
- ◇ Single-ended operation
- ◇ Dual In-line Package
- ◇ RoHS compliant (2002/95/EC), Pb-free

Specifications

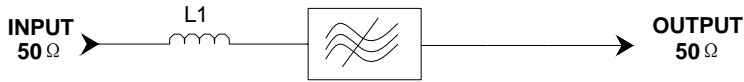
Parameter	Unit	Minimum	Typical	Maximum
Center Frequency	MHz	106.85	107	107.15
Insertion Loss	dB	-	30	31
3 dB Bandwidth	MHz	25.7	25.8	-
40 dB Bandwidth	MHz	-	26.64	26.8
50 dB Bandwidth	MHz	-	26.74	28
Passband Variation	dB	-	0.8	1
Absolute Delay	usec	-	3.1	3.5
Ultimate Rejection($f_0 \pm 15\text{MHz}$)	dB	50	52	-
Material Temperature coefficient	KHz/°C	-10.1		
Substrate Material	-	YZ LN		
Ambient Temperature	°C	25		
Operating Temperature Range	°C	-40	-	+85
Storage Temperature Range	°C	-45	-	+105
DC Voltage	V	0		
Input Power	dBm	-	-	10
ESD Class	-	1A		
Package Size	DIP3512 (35.0x12.8x4.7mm3)			

Notes:

1. All specifications are based on the test circuit shown;
2. In production, all specifications are measured by Agilent Network analyzer and full 2 port calibration at room temperature;
3. Electrical margin has been built into the design to account for the variations due to temperature drift and manufacturing tolerances;
4. This is the optimum impedance in order to achieve the performance show.

	SIPAT Co., Ltd. (CETC No.26 Research Institute) #14 Nanping Huayuan Road, Chongqing, China, 400060	Part Number	LBN10709	
		Rev. Date	2009-10-13	
		Ver.	1.0	Page 1/3

Matching Configuration

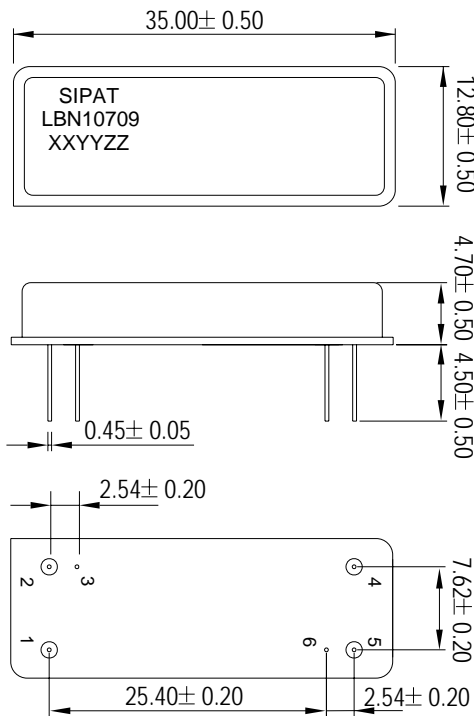


L1=82nH

Source/Load Impedance=50 ohm

Notes - Component values may change depending on board layout.

Package Dimension



Pad Configuration:

Input 1
 Output 5
 Ground All Others

Marking Configuration:

- 1) SIPAT: Manufacturer Name
- 2) LBN10709: Part Number
- 3) XXYY: Date(Year/month)
- 4) ZZ: Identified Code

Package: DIP3512

Unit: mm



SIPAT Co., Ltd.
 (CETC No.26 Research Institute)
 #14 Nanping Huayuan Road,
 Chongqing, China, 400060

Part Number	LBN10709	
Rev. Date	2009-10-13	
Ver.	1.0	Page 2/3



Typical Performance

