



### Features


- ◇ For IF SAW filter
- ◇ High attenuation
- ◇ Single-ended operation
- ◇ Dual In-line Package
- ◇ No matching required for operation at 50Ω
- ◇ RoHS compliant (2002/95/EC), Pb-free

### Specifications

Parameter	Unit	Minimum	Typical	Maximum
Center Frequency	MHz	-	115	-
Insertion Loss	dB	-	22	25
1 dB Bandwidth	MHz	-	9.16	-
3 dB Bandwidth	MHz	9.4	9.48	-
35 dB Bandwidth	MHz	-	10.42	10.5
40 dB Bandwidth	MHz	-	10.48	-
Passband Variation	dB	-	0.9	1
Absolute Delay	usec	-	2.53	2.7
Ultimate Rejection	dB	50	56	-
Material Temperature coefficient	KHz/°C	-10.8		
Substrate Material	-	YZ LN		
Ambient Temperature	°C	25		
Operating Temperature Range	°C	-25	-	+85
Storage Temperature Range	°C	-45	-	+105
DC Voltage	V	0		
Input Power	dBm	-	-	10
ESD Class	-	1A		
Package Size	DIP2712 (27.0x12.8x4.7mm <sup>3</sup> )			

#### Notes:

1. All specifications are based on the test circuit shown;
2. In production, all specifications are measured by Agilent Network analyzer and full 2 port calibration at room temperature;
3. Electrical margin has been built into the design to account for the variations due to temperature drift and manufacturing tolerances;
4. This is the optimum impedance in order to achieve the performance show.

	<b>SIPAT Co., Ltd.</b> ( CETC No.26 Research Institute ) #14 Nanping Huayuan Road, Chongqing, China, 400060	Part Number	LBN11557	
		Rev. Date	2010-04-07	
		Ver.	1.0	Page

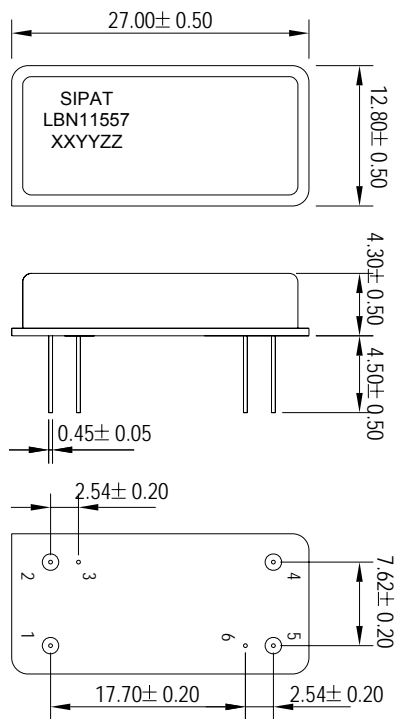
### Matching Configuration



Source/Load Impedance=50 ohm

Notes - Component values may change depending on board layout.

### Package Dimension



#### Pad Configuration:

Input 1  
 Output 5  
 Ground All Others

#### Marking Configuration:

- 1) SIPAT: Manufacturer Name
- 2) LBN11557: Part Number
- 3) XXYY: Date(Year/month)
- 4) ZZ: Identified Code

Package: DIP2712

Unit: mm



**SIPAT Co., Ltd.**  
 ( CETC No.26 Research Institute )  
 #14 Nanping Huayuan Road,  
 Chongqing, China, 400060

Part Number	LBN11557	
Rev. Date	2010-04-07	
Ver.	1.0	Page 2/3



Typical Performance

