

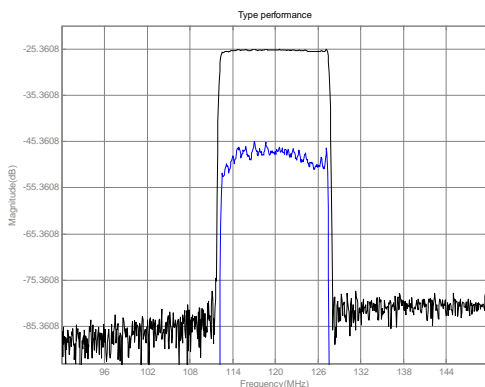


## LBN12004 SAW Filter Electrical Characteristic

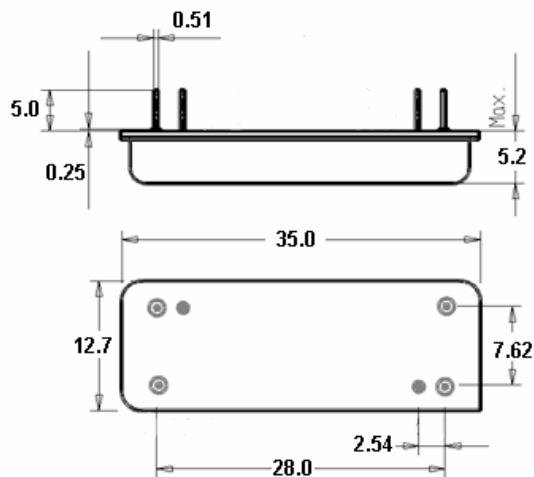
### Specifications

Parameter	Unit	Minimum	Typical	Maximum
<b>Center Frequency</b>	MHz	119.875	120	120.125
<b>Insertion Loss</b>	dB	-	27	29
<b>1.5 dB Bandwidth</b>	MHz	15.1	15.13	-
<b>18 dB Bandwidth</b>	MHz	-	15.86	15.9
<b>25 dB Bandwidth</b>	MHz	-	15.99	16.1
<b>30 dB Bandwidth</b>	MHz	-	16.07	16.5
<b>40 dB Bandwidth</b>	MHz	-	16.17	18.5
<b>Ultimate Rejection</b>	dB	40	48	-
<b>Passband Variation</b>	dB	-	0.7	1.5
<b>Absolute Delay</b>	usec	-	2.56	2.75
<b>Substrate Material</b>		YZ		
<b>Ambient Temperature</b>	°C	25		
<b>Package Size</b>		DIP3512 (35.2x12.7x5.2mm <sup>3</sup> )		

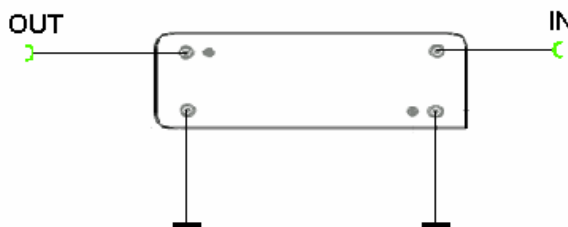
### Typical Performance



### Package Outline



### Matching Configuration



Source/Load Impedance=50 ohm

Notes - Component values may change depending on board layout.