



Features


- ◇ For IF SAW filter
- ◇ High attenuation
- ◇ Single-ended operation
- ◇ Dual In-line Package
- ◇ RoHS compliant (2002/95/EC), Pb-free

Specifications

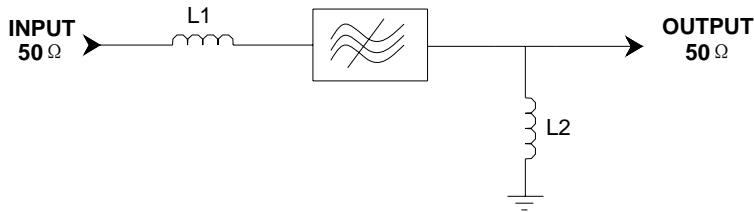
Parameter	Unit	Minimum	Typical	Maximum
Center Frequency	MHz	139.75	140	140.25
Insertion Loss	dB	-	23.7	26
1 dB Bandwidth	MHz	29.7	31	-
3 dB Bandwidth	MHz	32	33	-
40 dB Bandwidth	MHz	-	39.63	40
50 dB Bandwidth	MHz	-	40.33	-
Passband Variation	dB	-	0.6	1
Phase Linearity($f_0 \pm 15\text{MHz}$)	deg	-	3	6
Group Delay Variation($f_0 \pm 15\text{MHz}$)	nsec	-	25	50
Absolute Delay	usec	-	1.05	-
Ultimate Rejection	dB	50	57	-
Material Temperature coefficient	KHz/°C	-11.48		
Substrate Material	-	128LN		
Ambient Temperature	°C	25		
Operating Temperature Range	°C	-40	-	+85
Storage Temperature Range	°C	-45	-	+105
DC Voltage	V	0		
Input Power	dBm	-	-	10
ESD Class	-	1		
Package Size	DIP2212 (22.2x12.8x4.7mm3)			

Notes:

1. All specifications are based on the test circuit shown;
2. In production, all specifications are measured by Agilent Network analyzer and full 2 port calibration at room temperature;
3. Electrical margin has been built into the design to account for the variations due to temperature drift and manufacturing tolerances;
4. This is the optimum impedance in order to achieve the performance show.

	SIPAT Co., Ltd. (CETC No.26 Research Institute) #14 Nanping Huayuan Road, Chongqing, China, 400060	Part Number	LBN14009	
		Rev. Date	2008-01-09	
		Ver.	1.0	Page

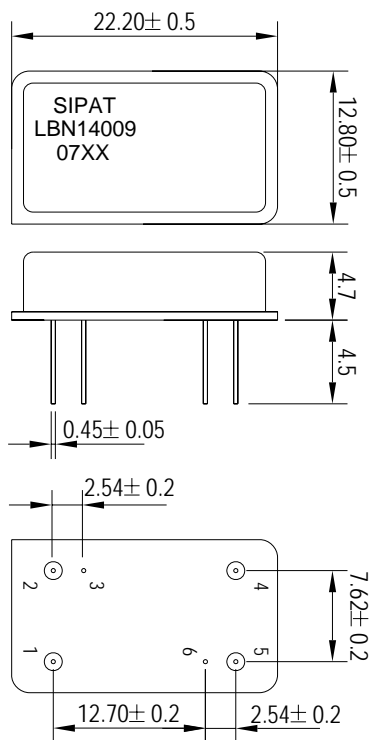
Matching Configuration



L1=82nH L2=120nH
Source/Load Impedance=50 ohm

Notes - Component values may change depending on board layout.

Package Dimension



Pad Configuration:

Input 1
Output 5
Ground All Others

Marking Configuration:

- 1) SIPAT: Manufacturer Name
- 2) LBN14009: Part Number
- 3) 07XX: Date Code

Package: DIP2212

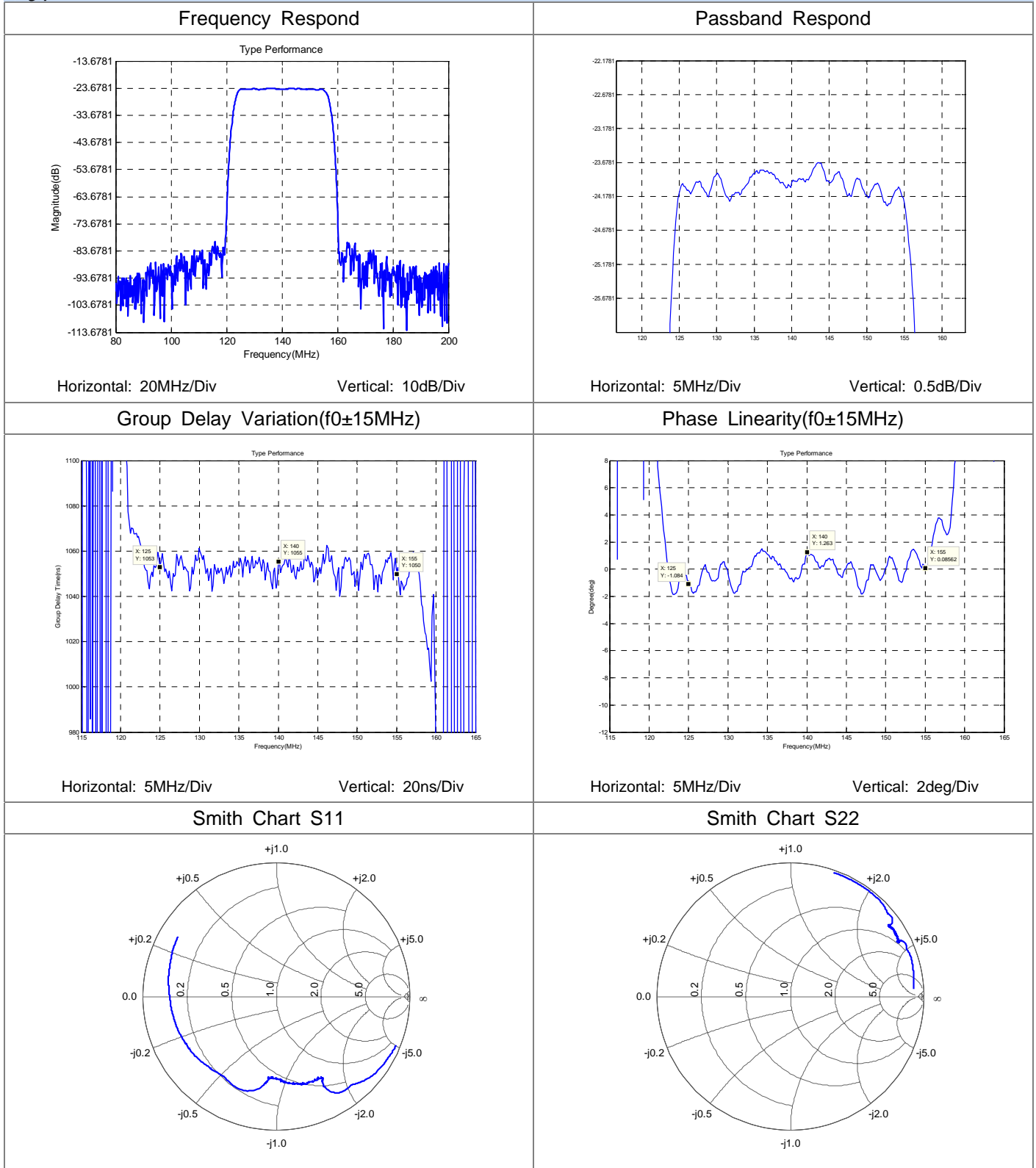
Unit: mm



SIPAT Co., Ltd.
(CETC No.26 Research Institute)
#14 Nanping Huayuan Road,
Chongqing, China, 400060

Part Number	LBN14009	
Rev. Date	2008-01-09	
Ver.	1.0	Page 2/3

Typical Performance



SIPAT Co., Ltd.
(CETC No.26 Research Institute)
#14 Nanping Huayuan Road,
Chongqing, China, 400060

Part Number	LBN14009	
Rev. Date	2008-01-09	
Ver.	1.0	Page 3/3