



LBN7601L SAW Filter Technical Specification

S P
LBN 7601L

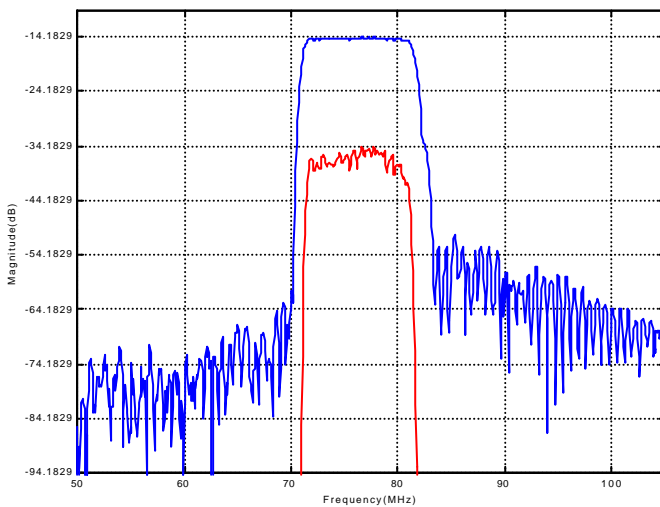
Absolute Maximum Rating

Rating	Value
CW RF power Dissipation	+10dBm
DC Voltage between any 2 pins	±30VDC
Operating Temperature	-10 to +50°C

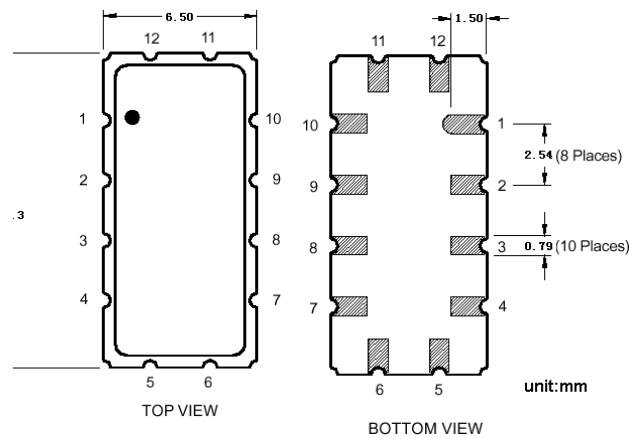
Electrical Characteristic

Characteristic	Unit	Minimum	Typical	Maximum
Center Frequency (f_0)	MHz	75.9	76.4	76.9
3dB Bandwidth	MHz	9.0	10.34	
40dB Bandwidth	MHz		13.00	13.8
Insertion Loss	dB		14.0	15
Amplitude Ripple	dB		2.0	2.2
Ultimate Rejection	dB	40	42	
Ambient Temperature	°C		25	
Package	SMP-53			
Substrate Material	YZ LN			

Frequency response

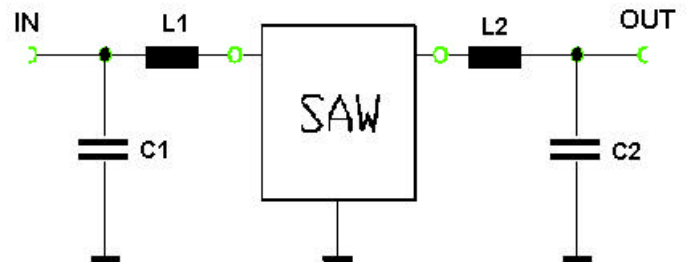


Package



Electrical Connections

Connection		Terminals
Port 1	Input or Return	11
	Return or Input	12
Port 2	Output or Return	5
	Return or Output	6
Ground		All others
Single Ended Operation		Return is ground
Differential Operation		Return is hot



L1=L2=88nH
C1=150pF
C2=100pF