

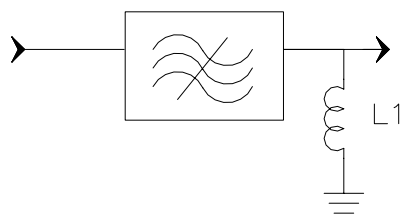
Specifications

Parameter	Unit	Minimum	Typical	Maximum
Center Frequency	MHz	114.94	115	115.06
Insertion Loss	dB	-	14.5	16.5
3 dB Bandwidth	MHz	0.22	0.248	0.255
30 dB Bandwidth	MHz	-	0.61	0.65
Phase Linearity($f_0 \pm 110\text{kHz}$)	degree	-	7	-
Passband Variation	dB	-	0.2	0.5
Ultimate Rejection	dB	35	48	-
Absolute delay	usec	-	-	3.9
Substrate Material		quartz		
Ambient Temperature	°C	25		
Package Size		DIP3616		

Notes:

1. All specifications are based on the test circuit shown
2. In production, devices will be tested at room temperature to a guardbanded specification to ensure electrical compliance over temperature
3. Electrical margin has been built into the design to account for the variations due to temperature drift and manufacturing tolerances
4. This is the optimum impedance in order to achieve the performance shown


Matching Configuration



$L1 = 22\text{nH}$

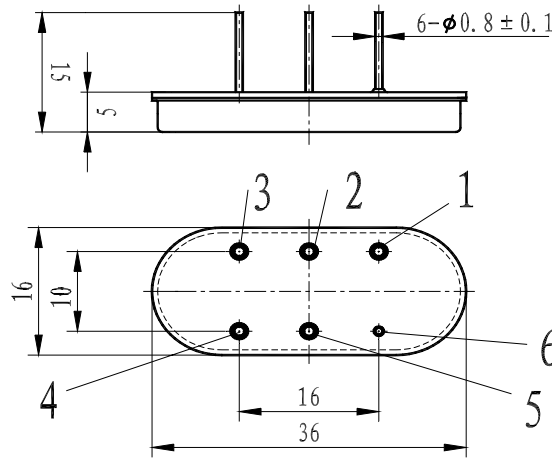
Source/Load Impedance=50 ohm


Notes - Component values may change depending on board layout.

	SIPAT Co., Ltd. (CETC No. 26 Research Institute) Nanping Huayuan Road No. 14 Chongqing, China, 400060	Part Number	SP LBS11526	
		Rev. Date	2004-12-21	
		Rev.	1.0	Page

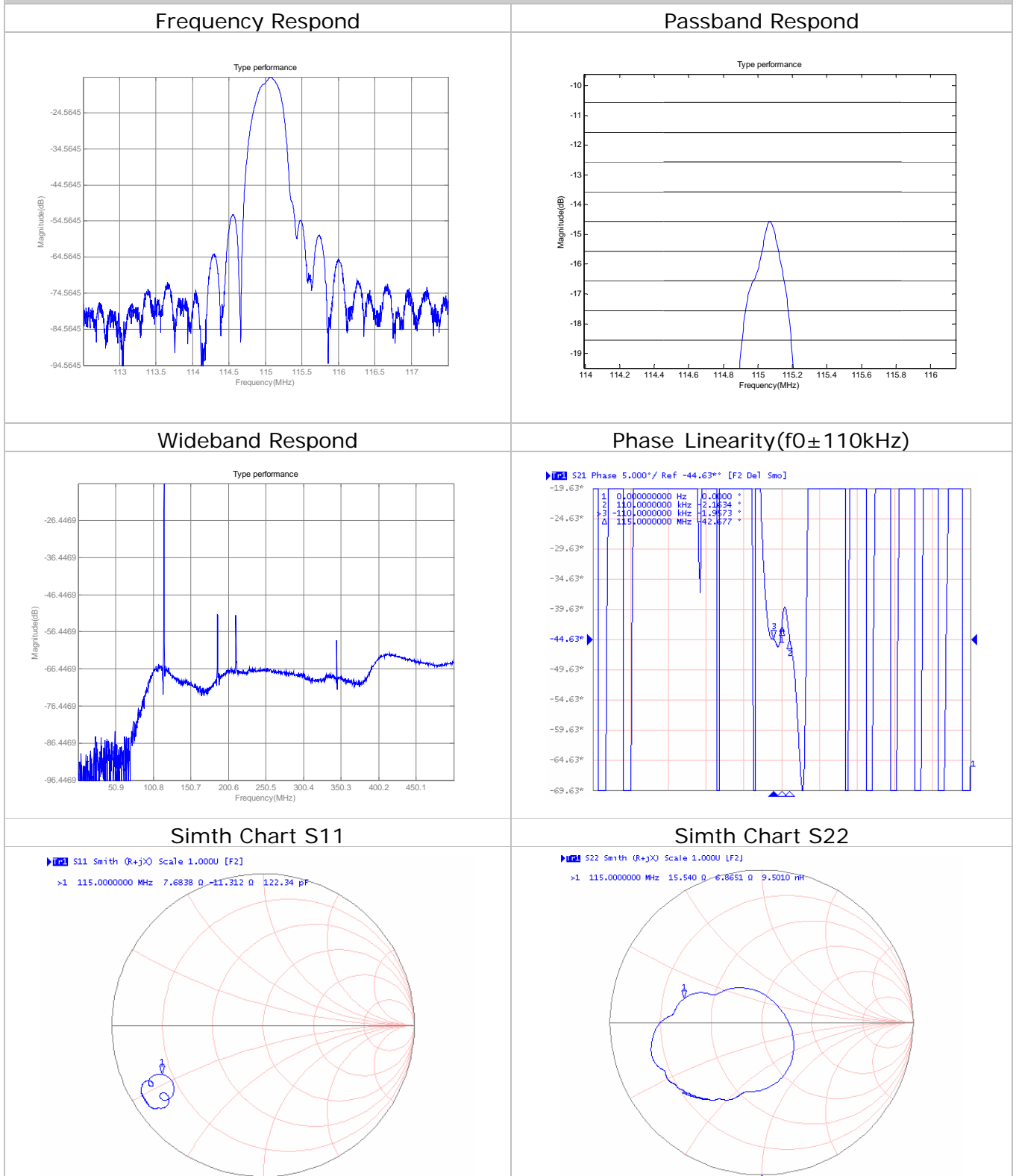
Package Dimension

Pin configuration
1 Input
4 Output
2,3,5,6 ground



	SIPAT Co., Ltd. (CETC No. 26 Research Institute) Nanping Huayuan Road No. 14 Chongqing, China, 400060	Part Number	SP LBS11526	
		Rev. Date	2004-12-21	
		Rev.	1.0	Page

Typical Performance



	<p>SIPAT Co., Ltd. (CETC No. 26 Research Institute) Nanping Huayuan Road No. 14 Chongqing, China, 400060</p>	Part Number	SP LBS11526	
		Rev. Date	2004-12-21	
		Rev.	1.0	Page