

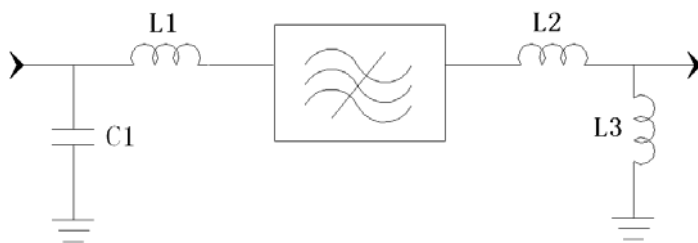
Specifications

Parameter	Unit	Minimum	Typical	Maximum
Center Frequency	MHz	139.96	140	140.04
Insertion Loss	dB	-	23	25
2dB Bandwidth	MHz	2.2	2.25	-
25dB Bandwidth	MHz	-	2.8	3
35dB Bandwidth	MHz	-	2.9	3.4
40dB Bandwidth	MHz	-	2.95	4.2
Passband Variation	dB	-	0.5	1
Absolute Delay	usec	-	4.3	5
Ultimate Rejection($f_0 \pm 6\text{MHz}$)	dB	45	48	-
Material temperature coefficient	KHz/°C	1xF ₀ /1000		
Ambient Temperature	°C	25		
Package Size	DIP3512 (35.0x12.8x4.7mm ³)			

Notes:

1. All specifications are based on the test circuit shown
2. In production, devices will be tested at room temperature to a guardbanded specification to ensure electrical compliance over temperature
3. Electrical margin has been built into the design to account for the variations due to temperature drift and manufacturing tolerances
4. This is the optimum impedance in order to achieve the performance show

Matching Configuration



L1=68NH L2=10NH L3=56nH
C1=56pF

Source/Load Impedance=50 ohm

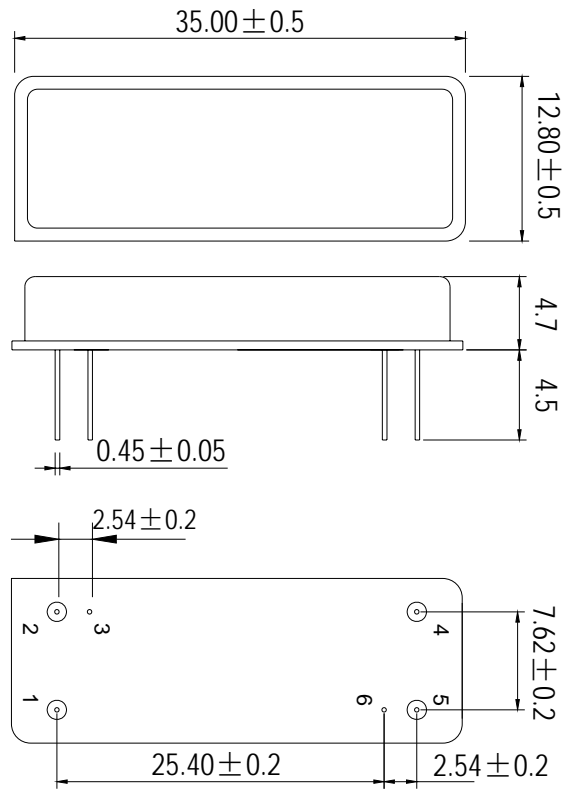
Notes - Component values may change depending on board layout.



SIPAT Co., Ltd.
(CETC No. 26 Research Institute)
Nanping Huayuan Road No. 14
Chongqing, China, 400060

Part Number	LBS14072		
Rev. Date	2005-6-24		
Rev.	1.0	Page 1/3	

Package Dimension



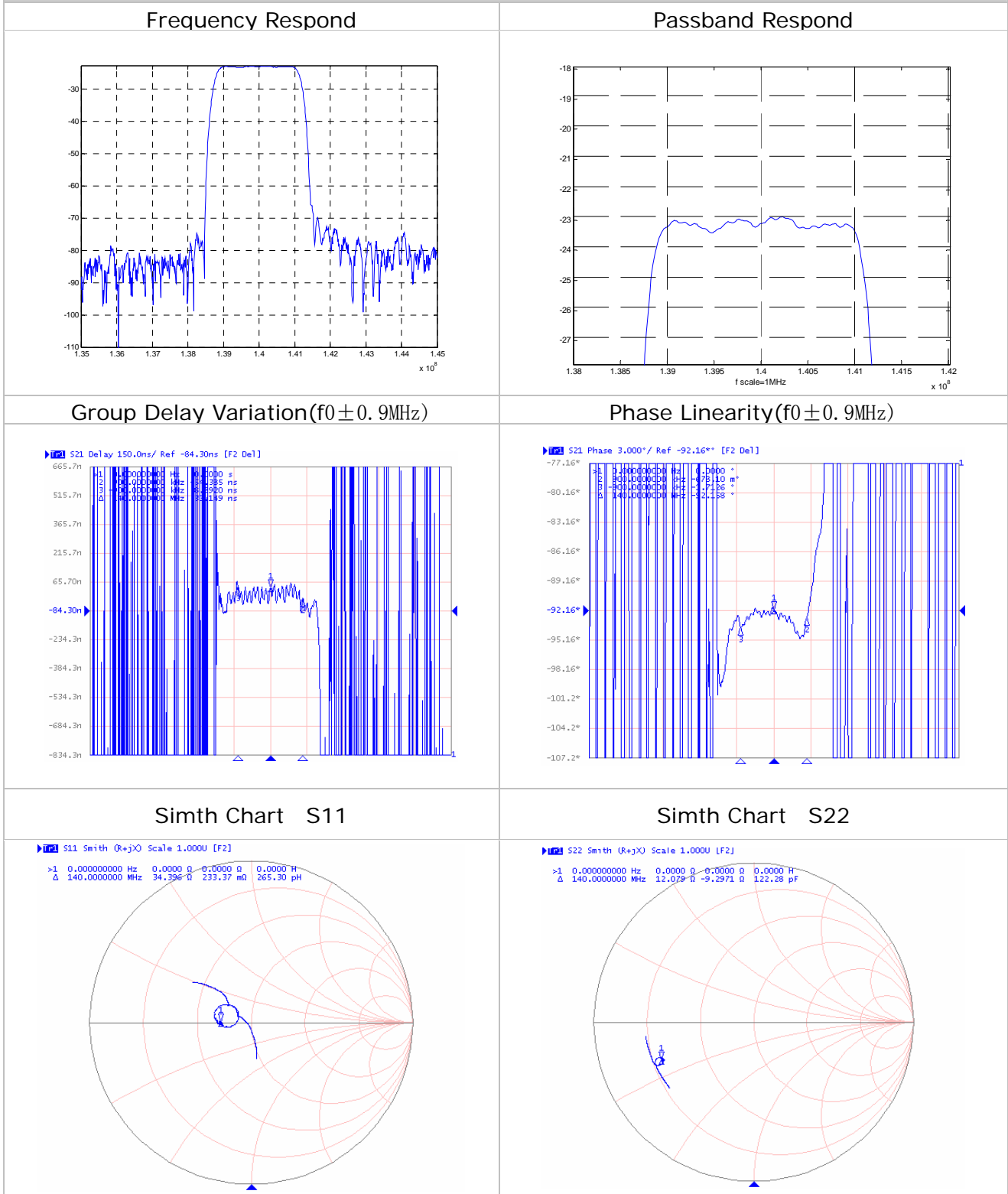
Input:1
Output:5



SIPAT Co., Ltd.
(CETC No. 26 Research Institute)
Nanping Huayuan Road No. 14
Chongqing, China, 400060

Part Number	LBS14072	
Rev. Date	2005-6-24	
Rev.	1.0	Page 2/3

Typical Performance



	<p>SIPAT Co., Ltd. (CETC No. 26 Research Institute) Nanping Huayuan Road No. 14 Chongqing, China, 400060</p>	Part Number	LBS14072	
		Rev. Date	2005-6-24	
		Rev.	1.0	Page