



138.625 MHz SAW Filter Technical Specification

SP
LBT13803

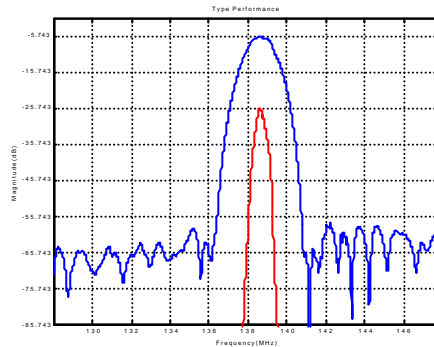
Absolute Maximum Rating

Rating	Value
CW RF power Dissipation	+13dBm
DC Voltage between any 2 pins	±30VDC
Operating Temperature	-10 to +50°C

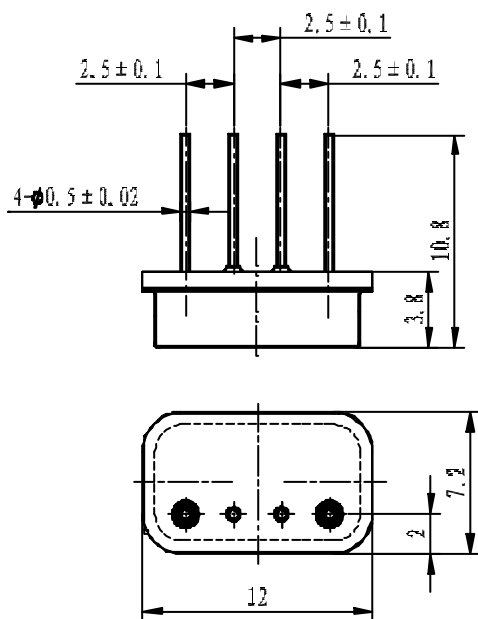
Electrical Characteristic

Characteristic	Unit	Minimum	Typical	Maximum
Center Frequency (f_0)	MHz	138.445	138.625	138.775
Insertion Loss	dB	5	5.5	6
3dB bandwidth	MHz	1.2	1.25	
40dB bandwidth	MHz		4.04	4.15
Ultimate Rejection: 123~136 MHz	dB	50	53	
140~153 MHz		50	53	
Substrate Material			112°LT	
Package			SC04-01	
Ambient Temperature	°C		25	

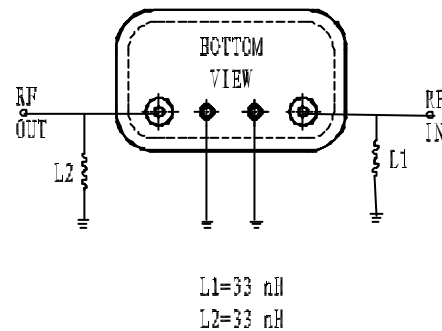
Frequency Response



Package



Package Outline



Input and output Impedance=50 ohm

Matching Configuratre