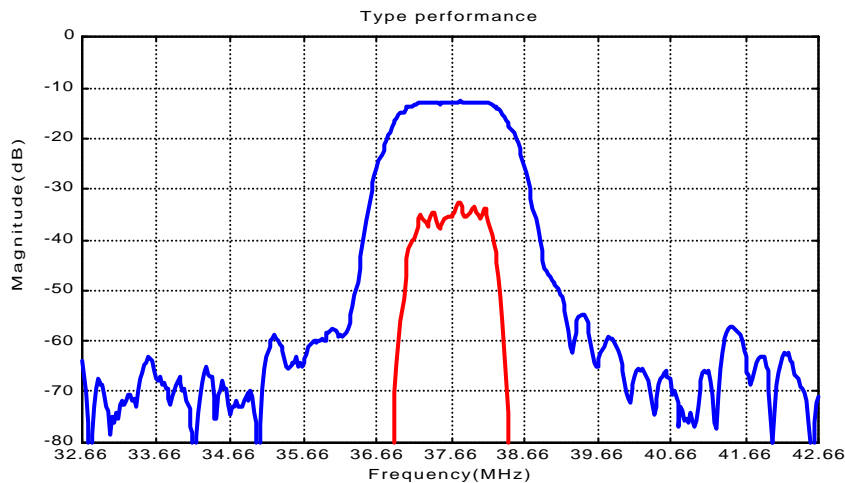


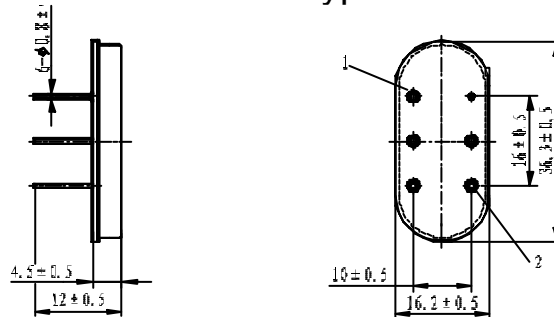


SPLB3701SAW Filter Electrical Characteristic

Parameter	Unit	Minimum	Typical	Maximum
Center Frequency	MHz	37.56	37.66	37.76
Insertion Loss	dB		12.5	13
1 dB Bandwidth	MHz	-	-	
3 dB Bandwidth	MHz	1.5	1.45	
40dB Bandwidth	MHz		2.8	3
Passband variation	dB		0.7	1
Phase Linearity	degrees		-	-
Group Delay Variation	nsec		-	-
Absolute Delay	usec		-	-
Ultimate Rejection	dB	40	45	
Substrate Material		128LN		
Ambient Temperature	° C	25		
Package Size		DIP3616 (36x16x5.2mm ³)		



SPLB3701 SAW Filter Typical Performance



1: Input; 2: Output; other: ground.